







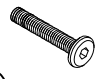





Warning :

- Be sure to check all packing material carefully for small parts, which may have come loose inside the carton during shipment.
- To prevent possible scratches and damage, this furniture **MUST BE ASSEMBLED BY TWO PEOPLE** on a soft surface such as a blanket or carpet.

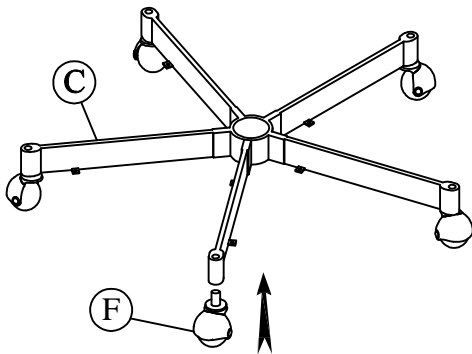


96538
Upholstery Desk Chair

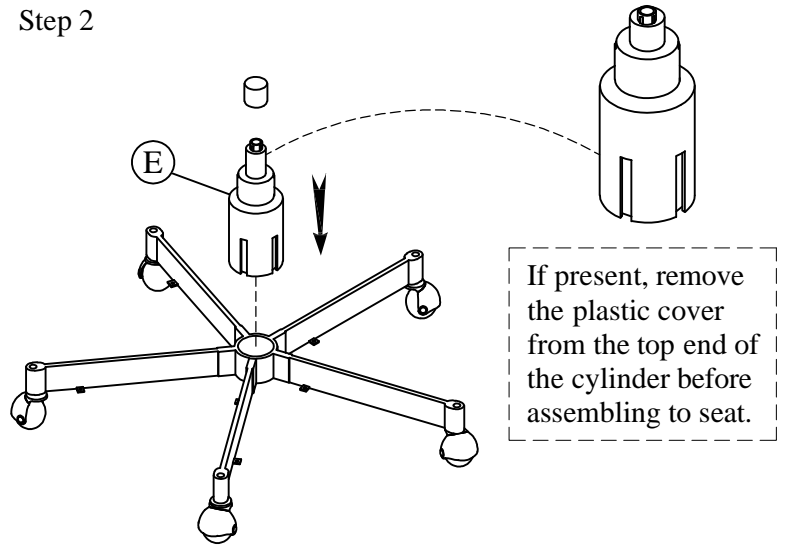
Components and Hardware List

<p>Chair Seat & Back</p>  <p>(A) 1 pc.</p>	<p>Chair Control</p>  <p>(B) 1 pc.</p>	<p>Metal Base Frame</p>  <p>(C) 1 pc.</p>	<p>Wood Base Cap</p>  <p>(D) 5 pcs.</p>	<p>Pneumatic Cylinder & Cover</p>  <p>(E) 1 pc.</p>	<p>Caster</p>  <p>(F) 5 pcs.</p>	<p>Allen Head Bolt Ø5/16" x 18 x 1-1/8"</p>  <p>(G) 4 pcs.</p>	<p>Spring Washer Ø5/16" x Ø14</p>  <p>(H) 4 pcs.</p>	<p>Flat Washer Ø5/16" x Ø18</p>  <p>(I) 4 pcs.</p>	<p>Allen Key 4mm</p>  <p>(J) 1 pc.</p>	<p>Screw Ø1/8" x 5/8"</p>  <p>(K) 10 pcs.</p>	<p>Tool Required (Not provided) Phillips Screwdriver</p> 
--	--	---	---	--	--	--	--	--	---	---	--

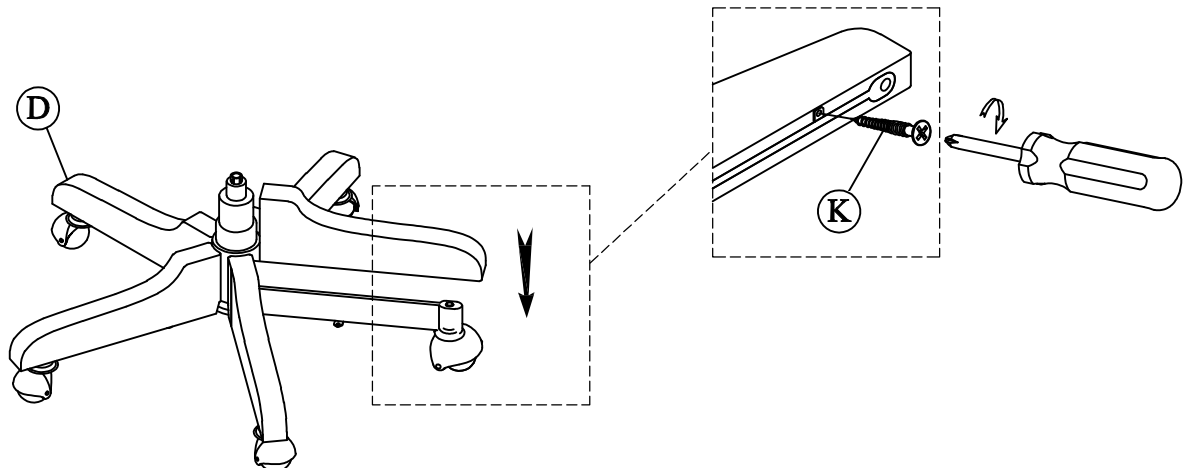
Step 1



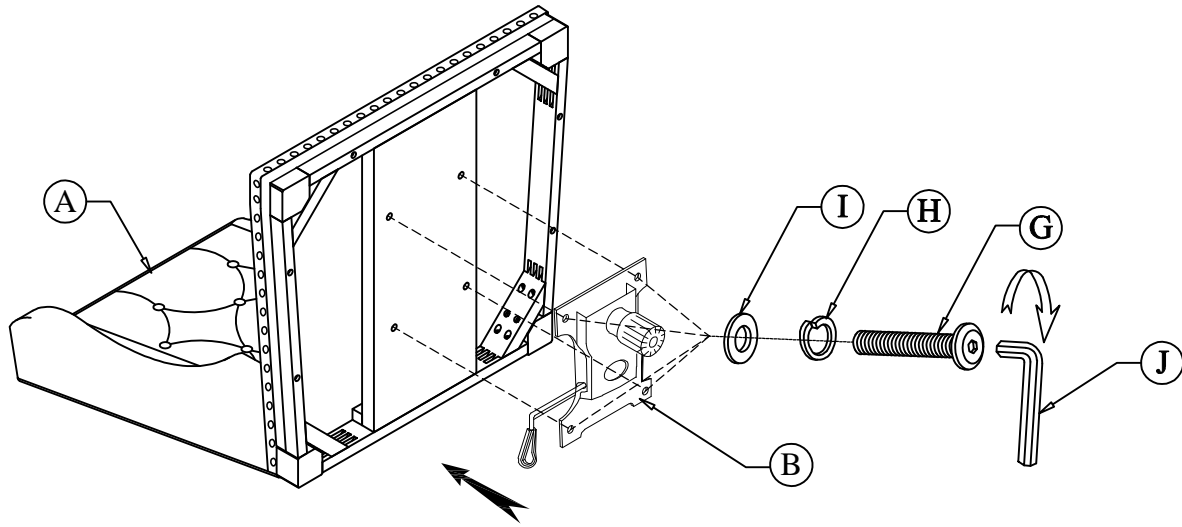
Step 2



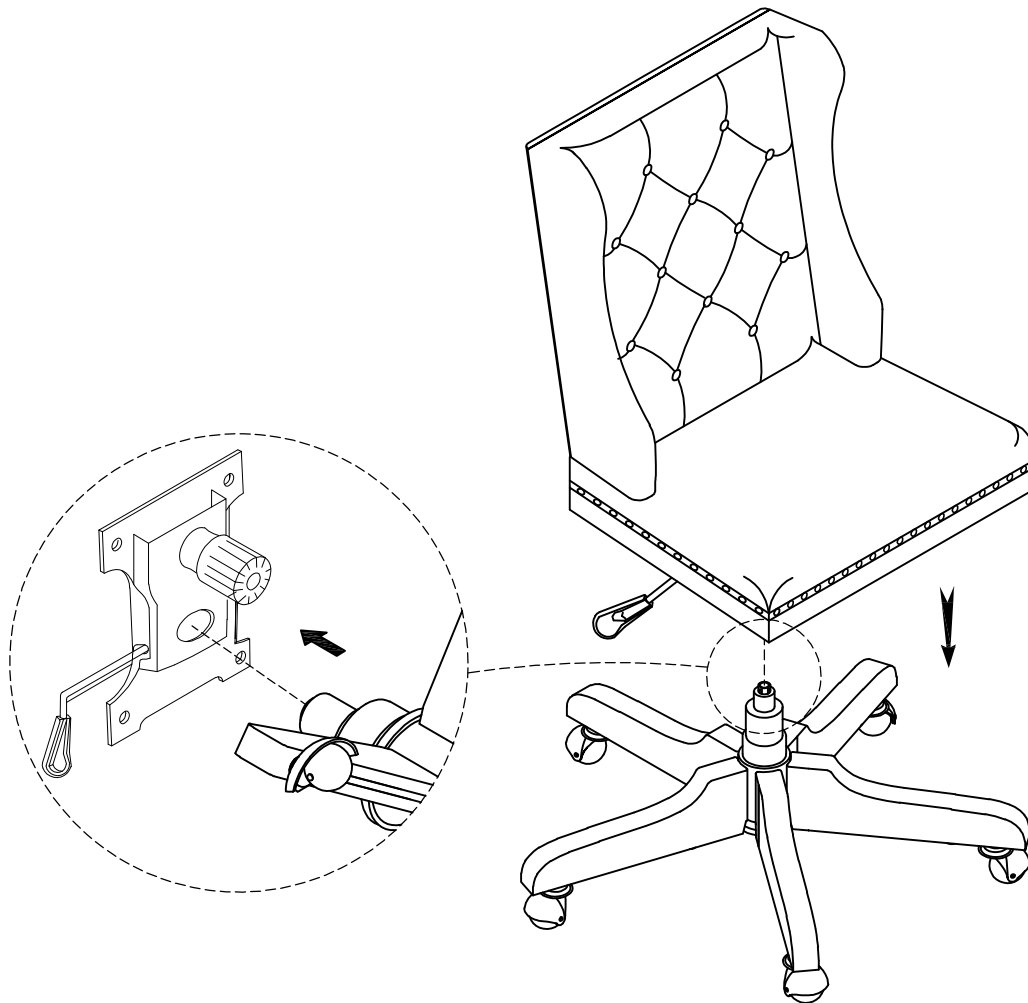
Step 3



Step 4



Step 5



Note: To prevent possible damage to some types of flooring, never roll casters on unprotected hardwood or vinyl flooring. The lift mechanism is in a locked position for shipping. To unlock, pull straight out on the handle, and then the lift cylinder can be activated by lifting the handle.